

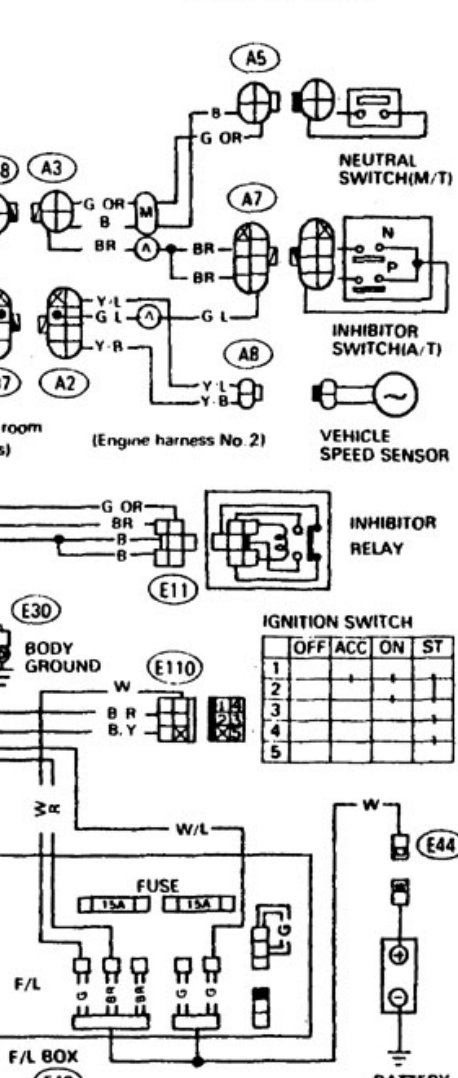
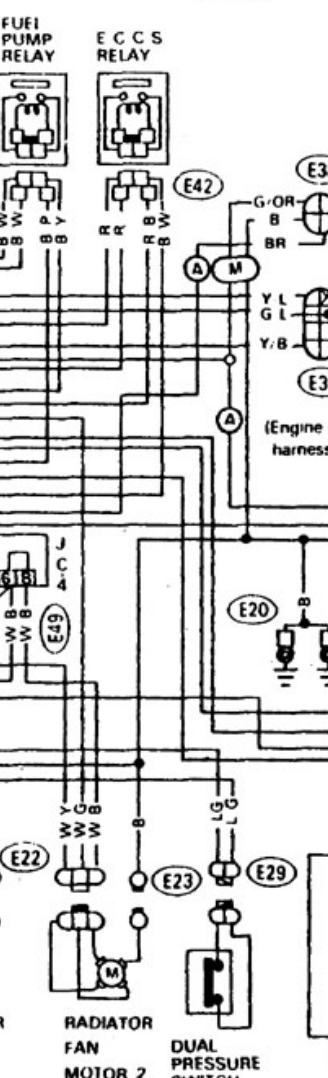
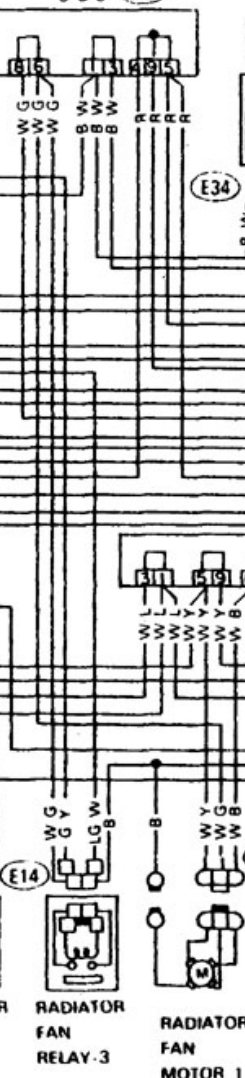
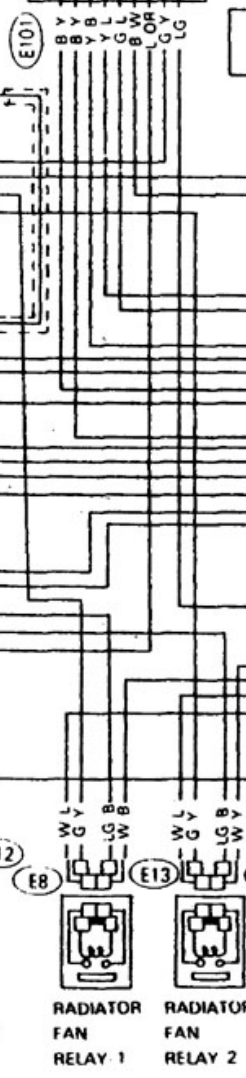
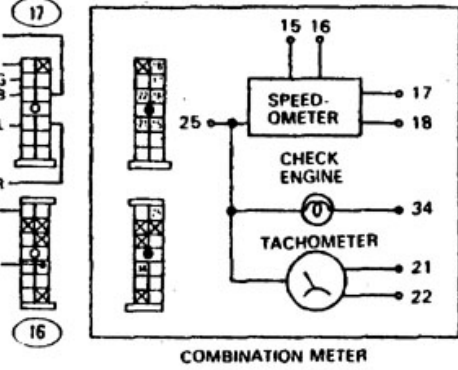
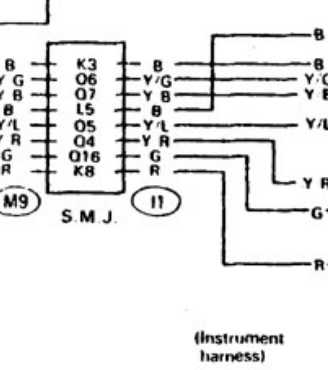
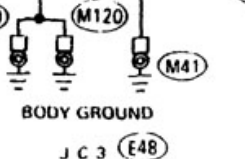
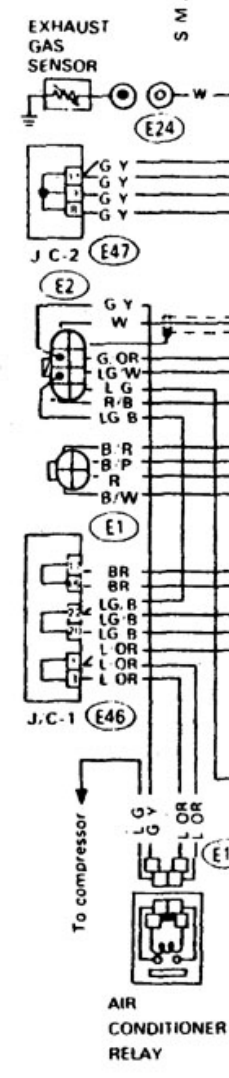
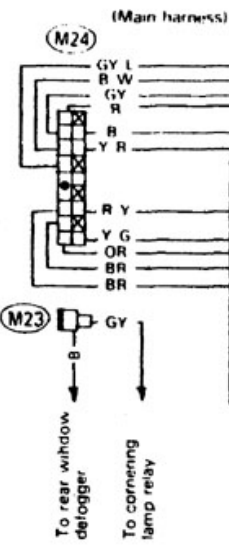
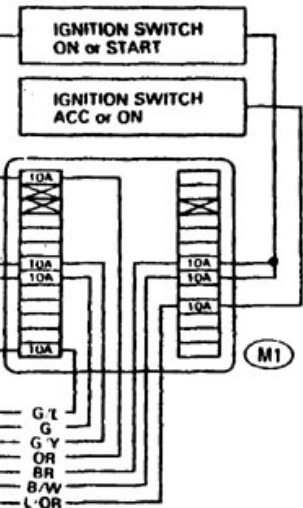
FUSE BLOCK

DIAGNOSTIC CONNECTOR

POWER STEERING OIL PRESSURE SWITCH

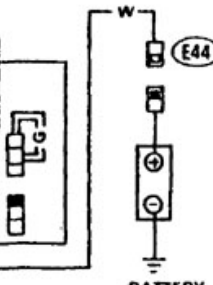
THERMO CONTROL AMP

FUEL PUMP

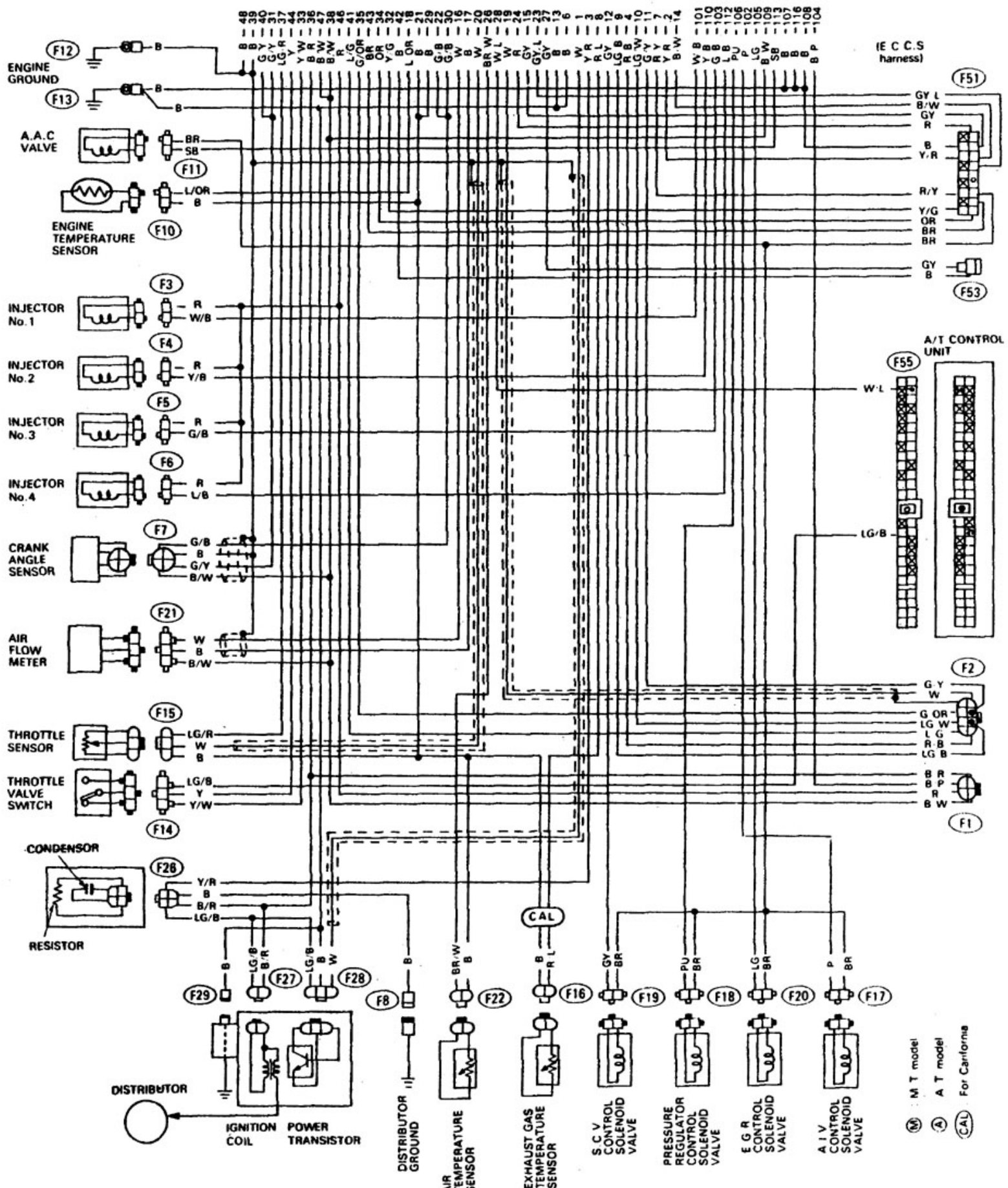
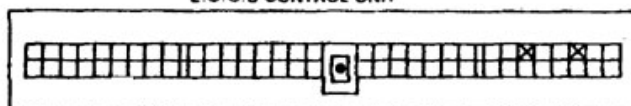


IGNITION SWITCH

	OFF	ACC	ON	ST
1				
2				
3				
4				
5				



E.C.C.S CONTROL UNIT



(M) M T model
 (A) A T model
 (CAL) For California