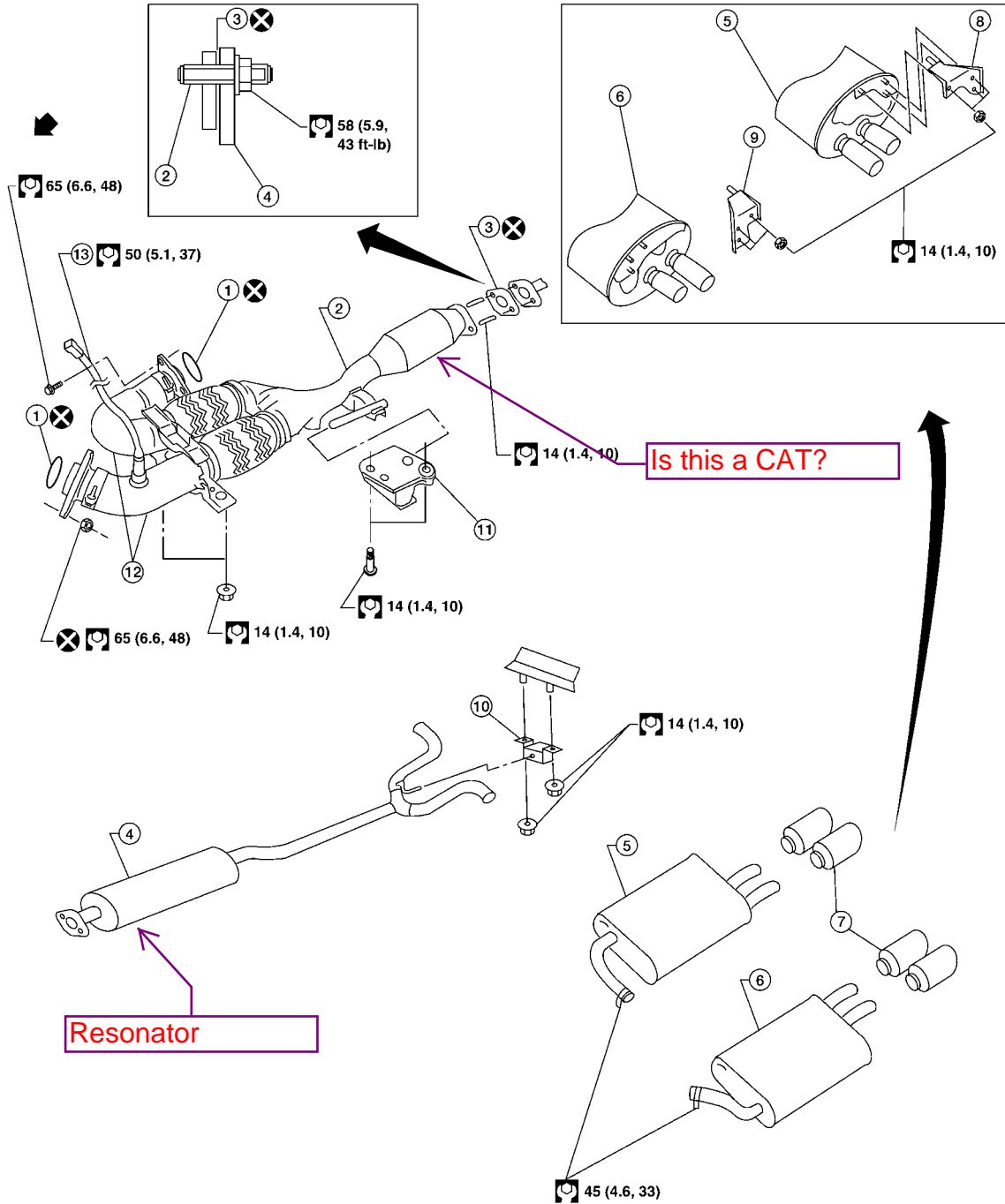


EXHAUST SYSTEM

< SERVICE INFORMATION >



- | | | |
|--------------------------------|--|----------------------------------|
| 1. Ring gasket | 2. Front exhaust tube | 3. Gasket |
| 4. Center exhaust tube | 5. RH rear muffler | 6. LH rear muffler |
| 7. Finisher | 8. RH rear muffler bracket with ground strap | 9. LH rear muffler bracket |
| 10. Center exhaust tube hanger | 11. Front exhaust tube hanger | 12. Front exhaust tube insulator |
| 13. Heated oxygen sensor 2 | ← Front | |

REMOVAL

- Remove exhaust system components using power tool.
- When removing center exhaust tube, remove tunnel stay bracket.

INSTALLATION

A
EX
C
D
E
F
G
H
I
J
K
L
M
N
O
P