

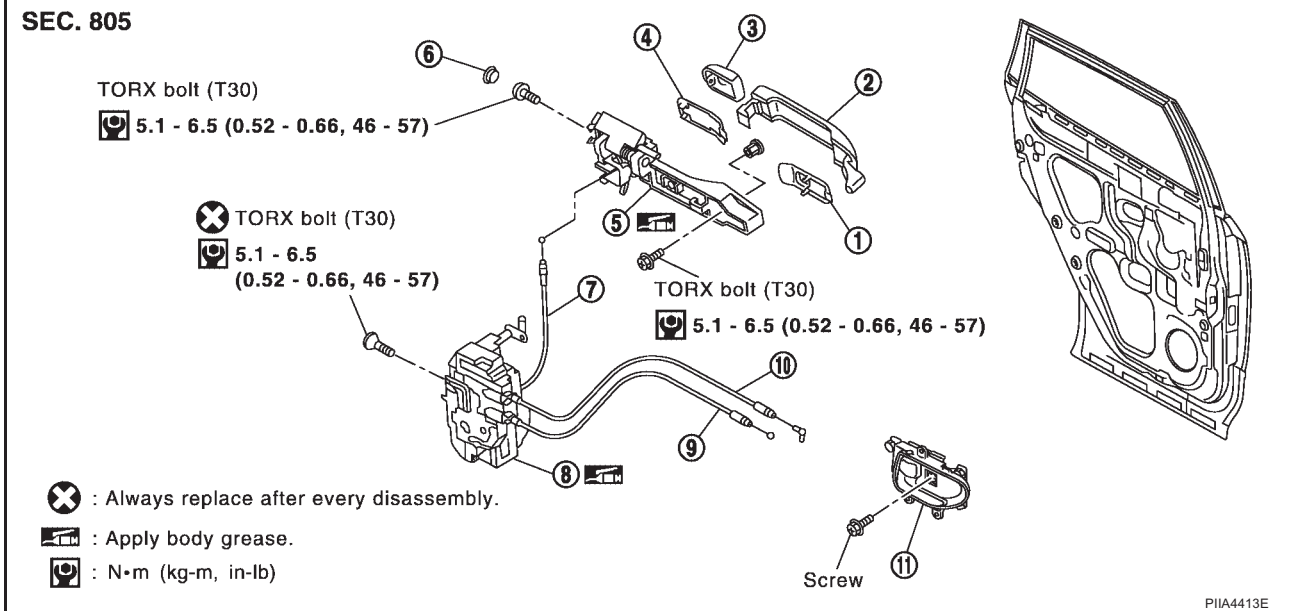
# REAR DOOR LOCK

PFP:82502

## REAR DOOR LOCK

### Component Structure

EIS001NN



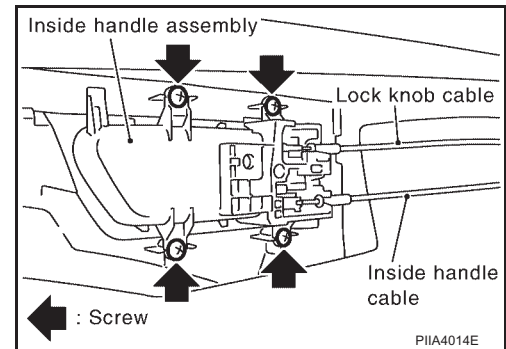
- |                         |                           |                              |
|-------------------------|---------------------------|------------------------------|
| 1. Front gasket         | 2. Outside handle         | 3. Outside handle escutcheon |
| 4. Rear gasket          | 5. Outside handle bracket | 6. Grommet                   |
| 7. Outside handle cable | 8. Door lock assembly     | 9. Inside handle cable       |
| 10. Lock knob cable     | 11. Inside handle         |                              |

## Removal and Installation

### REMOVAL

EIS001NO

1. Remove the rear door finisher. Refer to [EI-30, "Removal and Installation"](#).
2. Disconnect the inside handle cable and lock knob cable from the back side of the front door finisher.



3. Remove the rear door window and rear door module assembly. Refer to [GW-90, "Removal and Installation"](#).
4. Remove door side grommet, and remove outside handle escutcheon bolt (TORX T30) from grommet hole.