

**NISSAN BLUETOOTH/INFORMATION DISPLAY  
RETENTION INTERFACE**

# **NIRD-01**

## **Installation Instructions**

**\* READ IMPORTANT WARNING ON PAGE 1  
BEFORE ATTEMPTING ANY INSTALLATION**

When installing an aftermarket radio into select Nissan vehicles, the Bluetooth features (if equipped) are lost. The driver information display is also lost which it is controlled by the factory radio. The NIRD-01 is designed for use in 2007-08 Nissan Maxima and 2007-08 Nissan Sentra vehicles to retain the factory Bluetooth features (if equipped) and information display.

### **Applications**

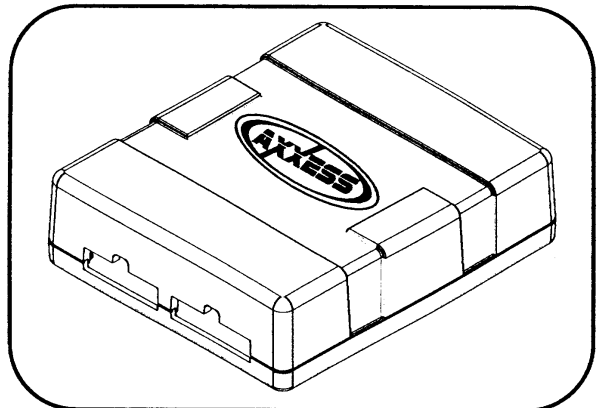
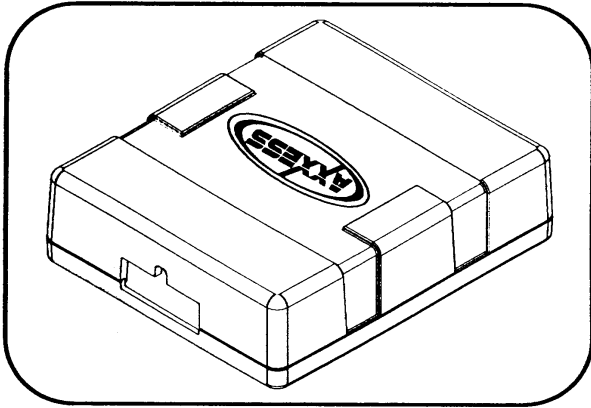
### **Nissan Maxima/Nissan Sentra 2007-2008**

### **Interface Components**

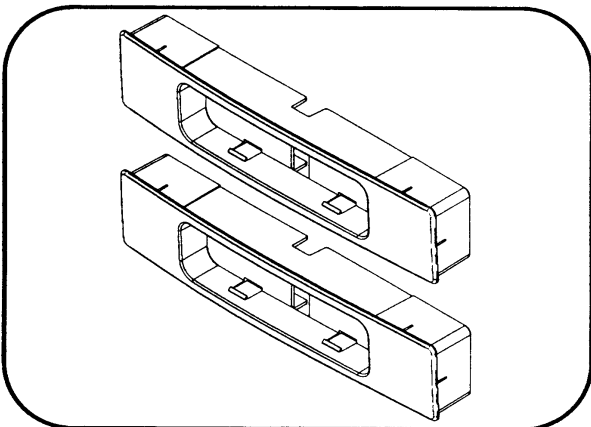
- NIRD-01 Interface
- Wired keypad
- Pocket insert keypad mount for 99-7421
- Pocket insert keypad mount for 99-7422
- 1 interface to vehicle/display harness
- 1 interface to radio harness
- 1 interface to radio/vehicle/keypad harness
- Two sided tape

**1-800-221-0932****[www.metraonline.com](http://www.metraonline.com)**

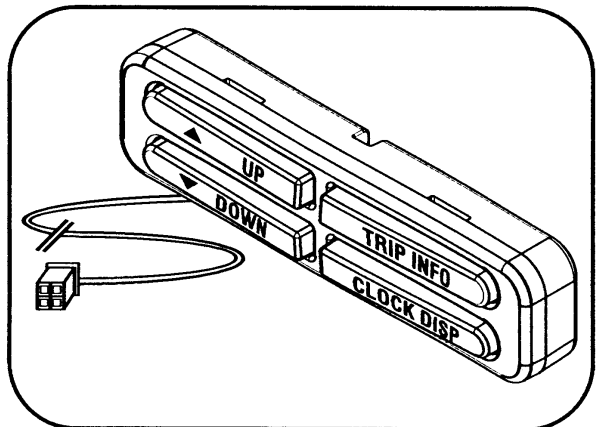
**INTERFACE COMPONENTS**



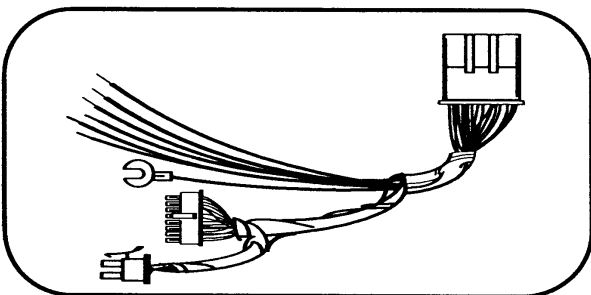
**AXCESS NIRD-01 INTERFACE -TOP AND BOTTOM VIEW**



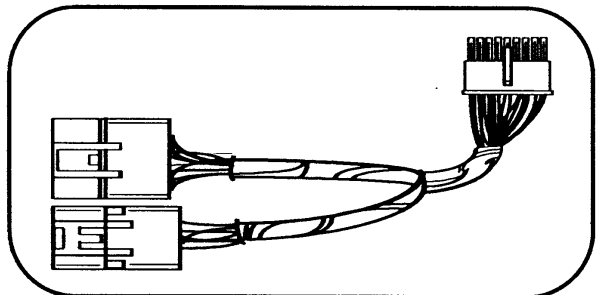
**POCKET INSERT KEYPAD MOUNT  
FOR 99-7421 AND 99-7422**



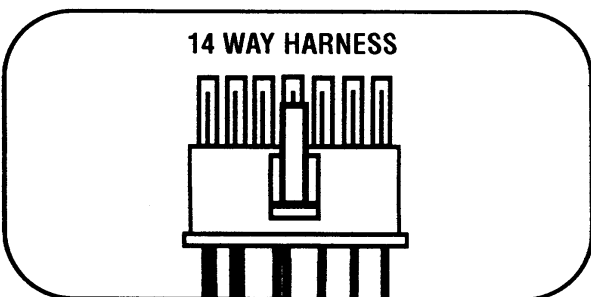
**WIRED KEYPAD**



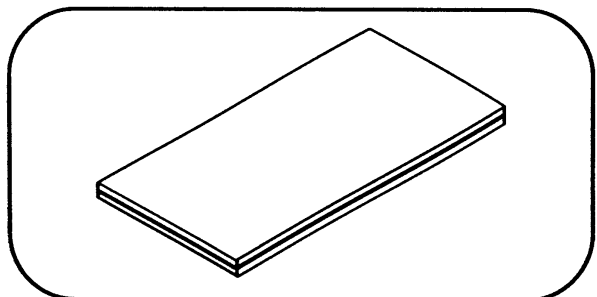
**INTERFACE TO RADIO/VEHICLE/KEYPAD HARNESS**



**INTERFACE TO VEHICLE DISPLAY HARNESS**



**14 WAY HARNESS**  
**INTERFACE TO RADIO HARNESS-14 WAY**



**TWO-SIDED TAPE**



## **\* IMPORTANT WARNING**

THIS PRODUCT INCLUDES INSTRUCTIONS FOR INSTALLATION WHICH MUST BE CAREFULLY FOLLOWED. THE INSTRUCTIONS ARE WRITTEN IN SUCH A MANNER TO ASSUME THAT THE INSTALLER IS CAPABLE OF COMPLETING THESE TYPE OF ELECTRONIC INSTALLATIONS. IF YOU ARE UNCLEAR AS TO WHAT YOU ARE INSTRUCTED TO DO OR BELIEVE THAT YOU DO NOT UNDERSTAND THE INSTRUCTIONS SO AS TO PROPERLY AND SAFELY COMPLETE THE INSTALLATION YOU SHOULD CONSULT A TECHNICIAN WHO DOES HAVE THIS KNOWLEDGE AND UNDERSTANDING.

**FAILURE TO FOLLOW THESE INSTRUCTIONS CAREFULLY AND TO INSTALL THE INTERFACE AS DESCRIBED COULD CAUSE HARM TO THE VEHICLE OR TO SAFETY SYSTEMS ON THE VEHICLE. INTERFERENCE WITH CERTAIN SAFETY SYSTEMS COULD CAUSE HARM TO PERSONS AS WELL.**

**IF YOU HAVE ANY QUESTIONS IN THIS REGARD PLEASE CALL METRA'S HELP LINE AT 1-800-221-0932 FOR ASSISTANCE.**

## **WIRING CONNECTIONS**

**\*Important:** Before beginning any of the following, disconnect the negative battery terminal to prevent an accidental short circuit.

### **14-pin radio to interface harness**

The 14-pin radio to interface harness connects part of the aftermarket radio wiring to the NIRD-01 interface.

**Below are the wiring colors and what they connect to:**

1. Connect the **Red** wire to the ignition/accessory wire of the aftermarket radio.
2. Connect the **Blue/White** wire to the amplifier turn on wire of the aftermarket radio.
3. Connect the **Gray** wire to the right front positive speaker output of the aftermarket radio.
4. Connect the **Gray/Black** wire to the right front negative speaker output of the aftermarket radio.
5. Connect the **Brown** wire to the mute wire of the aftermarket radio. If the aftermarket radio does not have a Mute wire, insulate the **Brown** wire with electrical tape.
6. Connect the **Orange/White** wire to the illumination wire of the aftermarket radio. If the aftermarket radio does not have an illumination wire, insulate the **Orange/White** wire with electrical tape.

**The following connections on the 14-pin harness are for the aftermarket navigation radios:**

5. Connect the **Green** wire to the parking brake wire of the aftermarket navigation radio.
6. Connect the **Blue/Pink** wire to the VSS or speed sense wire of the aftermarket navigation radio.
7. Connect the **Green/Purple** wire to the reverse wire of the aftermarket navigation radio.

*Continued on page 3*



## **16-pin interface to radio/vehicle/keypad harness**

The 16-pin interface to radio/vehicle/keypad harness has three connectors on it along with wires to connect to the aftermarket radio.

- The **White** 20 way connector plugs into the main vehicle harness.
- The **Black** 16 way connector plugs into the NIRD-01 interface.
- The **Black** 4 way connector plugs into the connector coming from the NIRD-01 Keypad.

**Below are the wiring colors from the harness that connects to the aftermarket radio:**

1. Connect the **Black** wire without the fork terminal to the ground wire of the aftermarket radio. Ground the **Black** wire with the fork terminal to the vehicle chassis at a clean metal mounting point.
2. Connect the **Yellow** wire to the 12-volt constant/battery wire of the aftermarket radio.
3. Connect the **White** wire to the left front positive speaker output of the aftermarket radio. Connect the **White/Black** wire to the left front negative speaker output of the aftermarket radio.
4. Connect the **Purple** wire to the right rear positive speaker output of the aftermarket radio. Connect the **Purple/Black** wire to the right rear negative speaker output of the aftermarket radio.
5. Connect the **Green** wire to the left rear positive speaker output of the aftermarket radio. Connect the **Green/Black** wire to the left rear negative speaker output of the aftermarket radio.

## **18-pin interface to vehicle/display harness**

The 18-pin interface to vehicle/display harness has three connectors on it.

- The **Black** 18 way connector plugs into the NIRD-01 interface.
- The **smaller White** 12 way connector plugs into the vehicle harness which was unplugged when the OEM radio was removed.
- The **larger White** 12 way connector plugs into the harness coming from the OEM display.

## **INSTALLATION**

1. Remove the display with harness from the factory radio assembly and install into the Metra mounting kit assembly.
2. Mount the keypad at the desired location by either using double-sided tape or mounted in the appropriate pocket insert keypad mount using a Metra radio installation kit. To install the insert, simply mount into the installation kit's pocket and snap the keypad into the insert. The inserts are labeled to match the Metra kit part numbers, 99-7421 for the Maxima and 99-7422 for the Sentra, which can be found on the back side of the insert.
3. Connect the keypad cable to the 16-pin interface harness.

**Connect the harnesses to the vehicle and interface in the following order:**

4. 18-pin interface to vehicle/display harness.
5. 16-pin interface to vehicle/radio/keypad harness.

6. 14-pin interface to radio harness.

***NOTE: If the connections are made in a different order than shown, the vehicle display may not operate correctly. If this occurs, unplug the 16-pin harness then re-connect.***

7. Find an appropriate location inside the dash behind the radio to place the interface.

8. Following the installation kit instructions, mount the kit assembly into the vehicle.

## **DISPLAY OPERATION**

### **Screen information**

**There are six options that can be displayed on the driver information screen.**

- Personalized display; default is set to display “My Nissan”
- Blank screen; no information shown
- Distance to Empty
- Average Speed
- Fuel Economy
- Trip Time

To select the different display options, press the **Trip Info** button on the keypad. Each press will bring you to the next display option.

## **RESETTING THE DISPLAY**

To reset the Average Speed, Fuel Economy, or Trip Time select the appropriate display option to be reset using the **Trip Info** button and then press and hold the **Clock Display** button for three seconds. **NOTE: The Distance to Empty cannot be reset, it is constantly updated while driving.**

## **SETTING THE CLOCK**

1. Using the **Trip Info** button, select the Blank screen option.
2. Press and hold the **Clock Display** button for three seconds Hour Adjust will now appear on the display.
3. Press the **Up** and **Down** arrow buttons to adjust the hour to the desired value.
4. Press the **Clock Display** button. Minute Adjust will now appear on the display.
5. Press the **Up** and **Down** arrow buttons to adjust the minutes to the desired value.
6. Press the **Clock Display** button. Clock is Set will be shown on the display for a few seconds. The clock is now set.

## **PERSONALIZED SCREEN**

***NOTE:*** *There are 10 characters including spaces available.*

To customize the My Nissan screen with your own personal message, follow these steps:

1. Using the **Trip Info** button, select the My Nissan screen option.
2. Press and hold the **Clock Display** button for three seconds Set Display will now appear on the display.
3. Press the **Up** and **Down** arrow buttons to change the character of the message to the desired letter, number, or symbol.
4. Press the **Clock Display** button to advance to the next character. Repeat steps three and four to complete the desired message.
5. Once the message is complete, press the **Trip Info** button to save and view the message.

## **BLUETOOTH AUDIO LEVEL**

If the vehicle is factory equipped with the Bluetooth feature, the audio level output can be adjusted by the following procedure:

1. Use the **Up** and **Down** arrow buttons while in Bluetooth mode to adjust the audio output. If equipped, the vehicle's steering wheel volume controls will also adjust the audio level.

***NOTE:*** *Bluetooth audio is only output from the right front speaker. This is factory setting from Nissan.*

# **NIRD-01 INSTRUCTIONS**



**1-800-221-0932**



**[www.metraonline.com](http://www.metraonline.com)**

REV. 12/04/07 © COPYRIGHT 2007 METRA ELECTRONICS CORPORATION INSTNIRD-01



## NISSAN MAXIMA / SENTRA 2007-2008

### OEM INFORMATION DISPLAY / BLUETOOTH RETENTION INTERFACE USING AXXESS TECHNOLOGY

WHEN INSTALLING AN AFTERMARKET RADIO INTO SELECT NISSAN VEHICLES, THE BLUETOOTH FEATURES (IF EQUIPPED) AND DRIVER INFORMATION DISPLAY NO LONGER FUNCTION. THE NIRD-01 IS DESIGNED TO RETAIN THE BLUETOOTH FEATURES AND DRIVER INFORMATION DISPLAY. IT ALSO PROVIDES A KEYPAD CONTROLLER FOR THE DISPLAY

- RETAINS FACTORY EQUIPPED BLUETOOTH FEATURES
- RETAINS DRIVER INFORMATION DISPLAY
- DESIGNED TO WORK WITH METRA KITS 99-7421 & 99-7422
- THE NIRD-01 INCLUDES:
  - NIRD-01 INTERFACE
  - WIRED KEYPAD
  - KEYPAD POCKET INSERTS FOR METRA KITS
  - TWO SIDED TAPE FOR SURFACE MOUNT
  - ALL THE REQUIRED INTERFACE TO VEHICLE HARNESSSES
  - INSATLLATION INSTRUCTIONS

RADIO AND INSTALLATION KIT SELL SEPARATELY



**NIRD-01**





## NISSAN MAXIMA / SENTRA 2007-2008

### DEM INFORMATION DISPLAY / BLUETOOTH RETENTION INTERFACE USING AXXESS TECHNOLOGY

WHEN INSTALLING AN AFTERMARKET RADIO INTO SELECT NISSAN VEHICLES, THE BLUETOOTH FEATURES (IF EQUIPPED) AND DRIVER INFORMATION DISPLAY NO LONGER FUNCTION. THE NIRD-01 IS DESIGNED TO RETAIN THE BLUETOOTH FEATURES AND DRIVER INFORMATION DISPLAY. IT ALSO PROVIDES A KEYPAD CONTROLLER FOR THE DISPLAY.

- RETAINS FACTORY EQUIPPED BLUETOOTH FEATURES
- RETAINS DRIVER INFORMATION DISPLAY
- DESIGNED TO WORK WITH METRA KITS 99-7421 & 99-7422
- THE NIRD-01 INCLUDES:
  - NIRD-01 INTERFACE
  - WIRED KEYPAD
  - KEYPAD POCKET INSERTS FOR METRA KITS
  - TWO SIDED TAPE FOR SURFACE MOUNT
  - ALL THE REQUIRED INTERFACE TO VEHICLE HARNESSES
  - INSATLLATION INSTRUCTIONS



**NIRD-01**



METRA ELECTRONICS  
450 WALKER STREET  
HOLLY HILL, FL 32117

[www.axxessinterface.com](http://www.axxessinterface.com)

**WARNING:** This product contains chemicals, including lead, known to the state of California to cause cancer and birth defects or other reproductive harm. *Wash hands after handling.*

MADE IN USA

**NIRD — 01**  
NISSAN RETAIN DISPLAY

07/22/10



0 86429 17375 4