

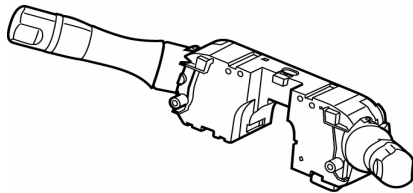


## GENUINE PARTS

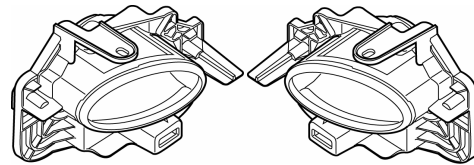
### INSTALLATION INSTRUCTIONS

- DESCRIPTION:** Fog Lamp Kit
- APPLICATION:** Maxima (2010)
- PART NUMBER:** 999F1 MV000 - Sedan w/Auto Headlamps  
999F1 MV001 - Sedan w/out Auto Headlamps
- KIT CONTENTS:**

Item	QTY	Description	Application	Service Part Number
A	1	Combi Sw w/ Auto Headlamps	w/Auto Headlamps	25560 9N00A
A'	1	Combi Sw w/o Auto Headlamps	w/out Auto Headlamps	25560 9N00D
B	1	Sedan RH foglamp assembly	Common	26150 9N00A
C	1	Sedan LH foglamp assembly	Common	26155 9N00A



A



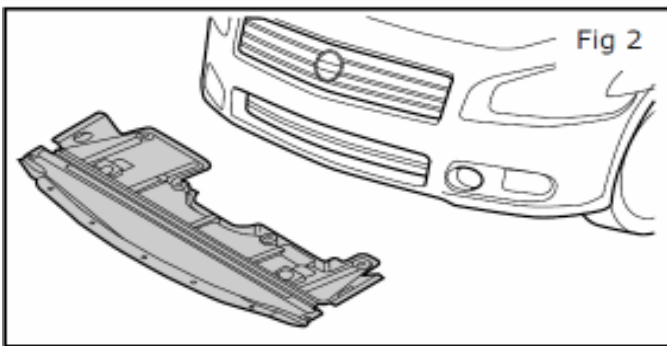
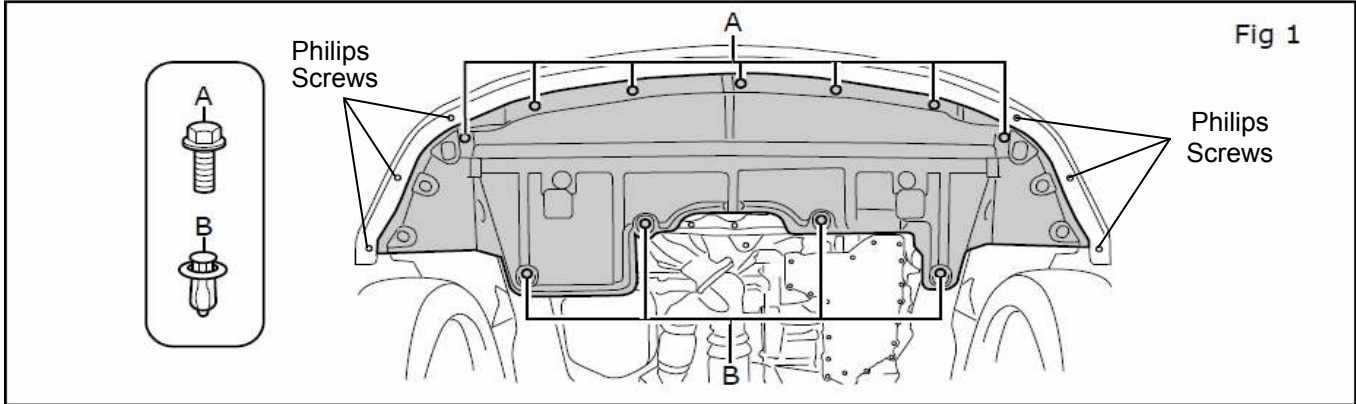
B

C

- TOOLS REQUIRED:**
  - Flat tip screwdriver
  - Phillips screwdriver
  - 10mm wrench
  - Ratchet
  - Socket extension
  - Optional 10mm ratcheting box wrench
  - 10mm socket
  - Torque Bit
- PRE-INSTALLATION CAUTIONS/NOTES:**
  - Dealer Installation Recommended. Instructions refer to Service Manual.

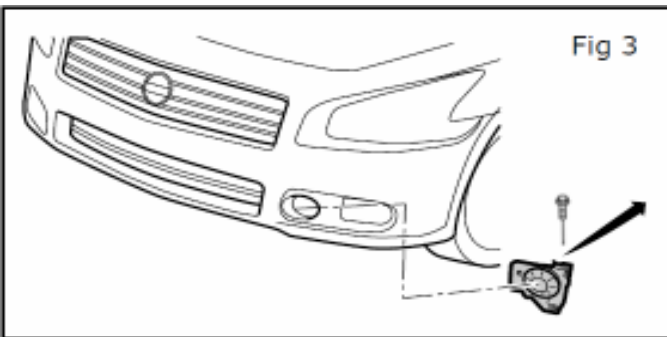
# INSTALLATION INSTRUCTIONS - Fog Lamp Kit

## 7. INSTALLATION PROCEDURE:

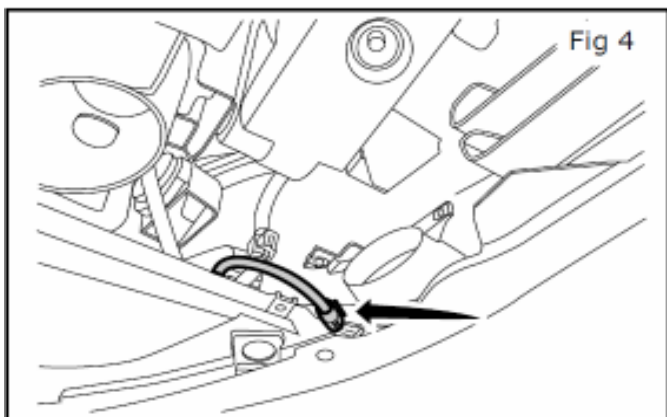


- 1) Remove engine under cover.
  - a) Use care when removing the retaining clips (B) and bolts (A). (Fig. 1 and Fig. 2)

**Note:** There may be clips at positions A instead of bolts.



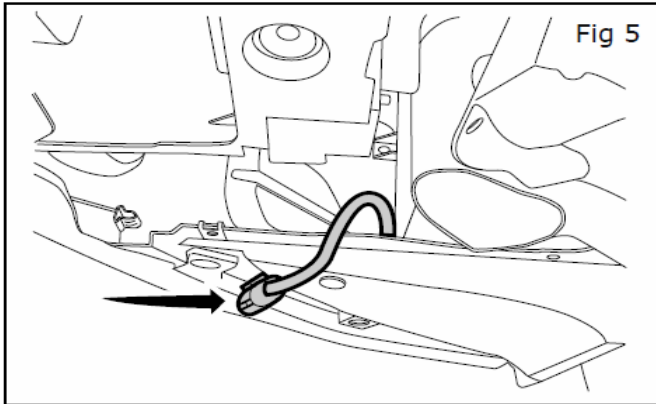
- 2) LH/RH - Remove fog lamp covers. (Fig. 3)
  - a) Use a Philips screwdriver to let loose the front of the LH/RH wheel wells.
  - b) Lower the front wheel well to get better access to the fog lamp area.
  - c) Remove the 10mm bolt from each side (re-use screws).



- 3) Locate and untape the fog lamp wiring harness connections (Driver's side) (Fig. 4)

**Tech Note:**  
Driver's side connector is near the horn.

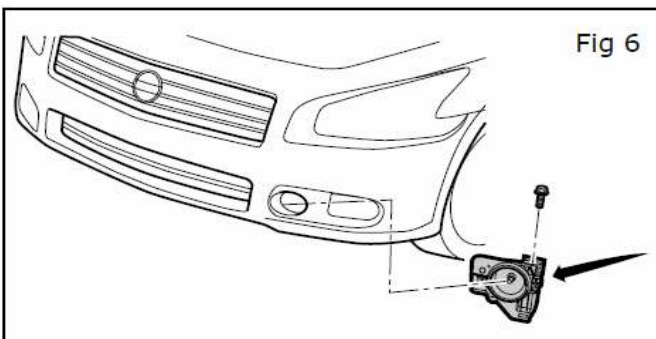
## INSTALLATION INSTRUCTIONS - Fog Lamp Kit



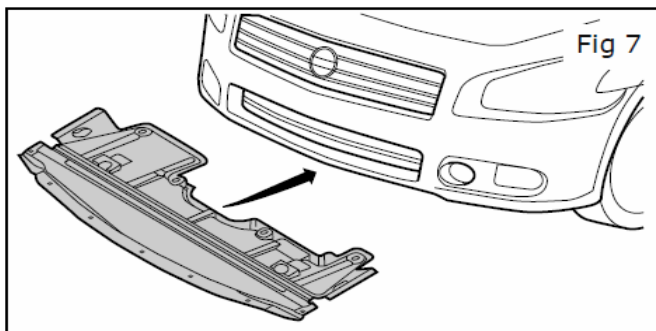
- 4) Locate and untape the fog lamp wiring harness connectors (passenger's side). (Fig. 5)

**Tech Note:**

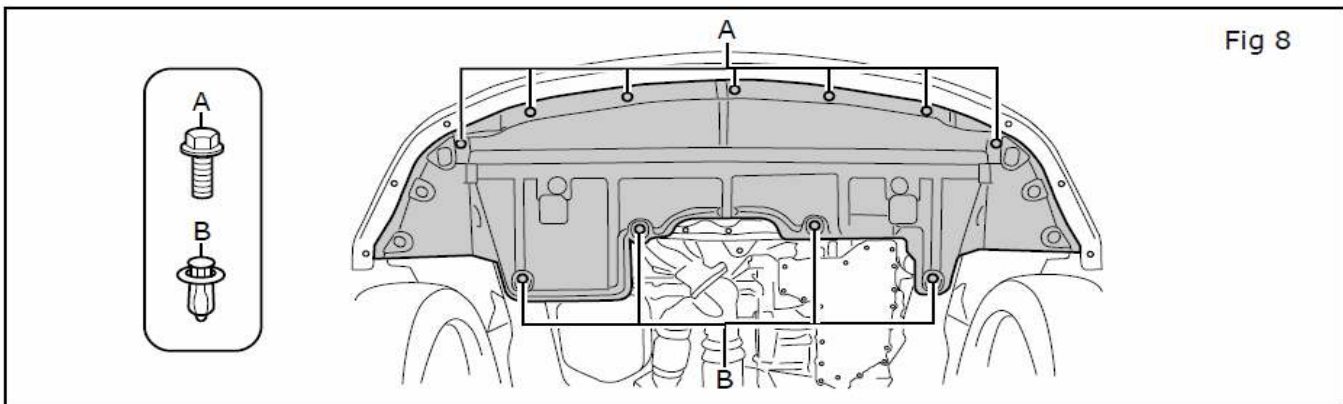
**Passenger's side connector is located near the washer fluid reservoir.**



- 5) LH/RH - Install fog lamp provided with kit.
  - a) Separate the fog lamp from the housing by removing (2) Torque screws.
  - b) Using a 10mm wrench, install (2) bolts through the bracket to the fascia. One on the side and one on top.
  - c) Place the fog lamp in the housing and secure it with the (2) Torque screws removed earlier.
  - d) Do this for both sides.



- 6) Finish install
  - a) Connect the wire harness to each fog light by pressing the connector into the back of each lamp.
  - b) Install engine under cover and retaining clips (B) and 10mm bolts (A). (Fig. 7 and Fig. 8)
  - c) Secure the front of each wheel well.



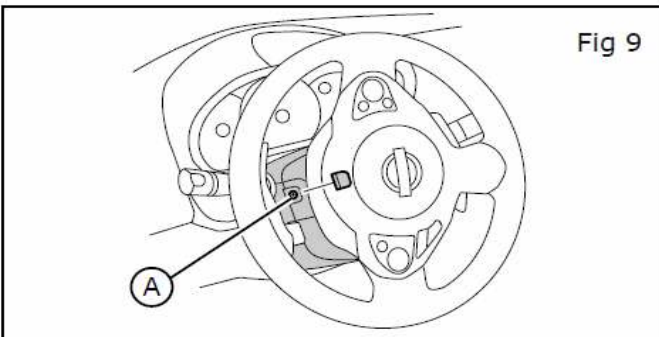
**Note: Fasteners at location(s) A maybe push in clips similar to B.**

## INSTALLATION INSTRUCTIONS - Fog Lamp Kit

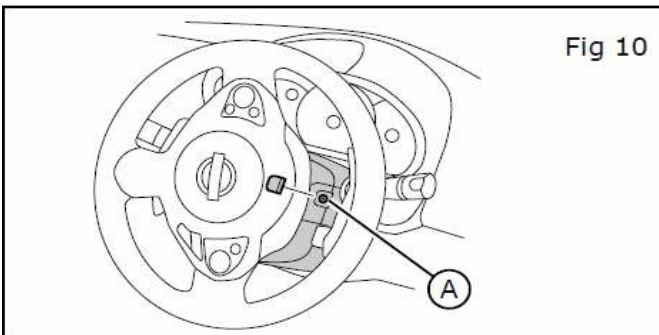
- 7) Unlock steering wheel.
- 8) Disconnect the negative battery cable, then wait at least 3 minutes.

### **⚠ CAUTION**

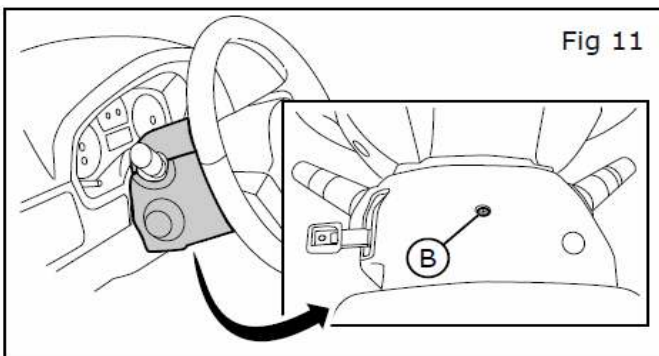
- Before servicing, disconnect both battery terminals and wait at least 3 minutes.
- Do not use air tools or electric tools for servicing.
- After the work is completed, make sure no system malfunction is detected by air bag warning lamp.
- In case a malfunction is detected by the air bag warning lamp, reset with the self-diagnosis function and delete the memory with CONSULT-III
- If a malfunction is still detected after the above operation, perform self-diagnosis to repair malfunctions. Refer to Service Manual.



- 9) Remove upper steering column cover.
  - a) Rotate steering wheel counterclockwise to access LH screw (A) and remove. (Fig. 9)

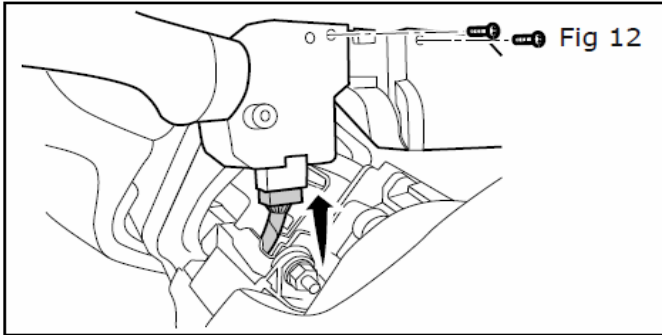


- 10) Rotate steering wheel clockwise to access RH screw (A) and remove. (Fig. 10)

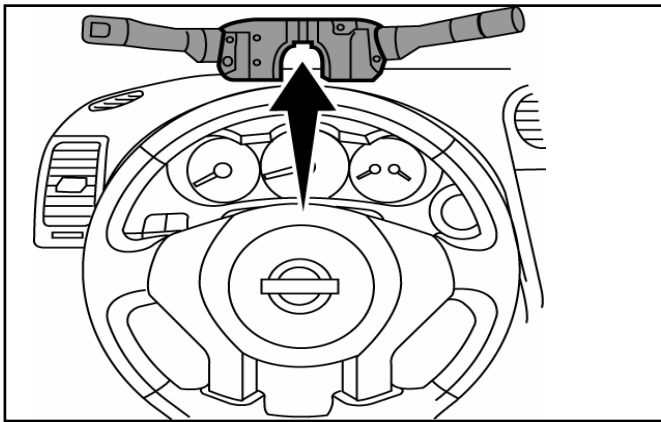


- 11) Remove lower steering column cover screw (B) located under the steering column and remove upper and lower cover. (Fig. 11)

## INSTALLATION INSTRUCTIONS - Fog Lamp Kit



- 12) Remove 2 screws from the combination switch and pull upwards for electrical connection. Disconnect electrical connector from combination switch by prying release tab and pulling up on the combination switch.  
(Fig. 12)



- 13) Remove combination switch by lifting up and out of steering column.

- 14) Install kit supplied combination switch using original mounting screws and reconnect wiring. Connector should 'Click'.
- 15) Install the steering column upper and lower covers using the original screws.
- 16) Check all screws are in place and secure.
- 17) Connect the negative battery cable.

### 8. FUNCTIONALITY TEST PROCEDURE:

- 1) Turn ignition switch ON.
- 2) Turn headlamp and fog lamp switches ON.
- 3) Verify headlamps and fog lamps are illuminated.
- 4) Turn headlamp switch OFF (leaving fog lamp switch ON).
- 5) Verify both headlamp and fog lamps turn off.
- 6) Verify turn signal, wiper, washer and high beam functionality.