

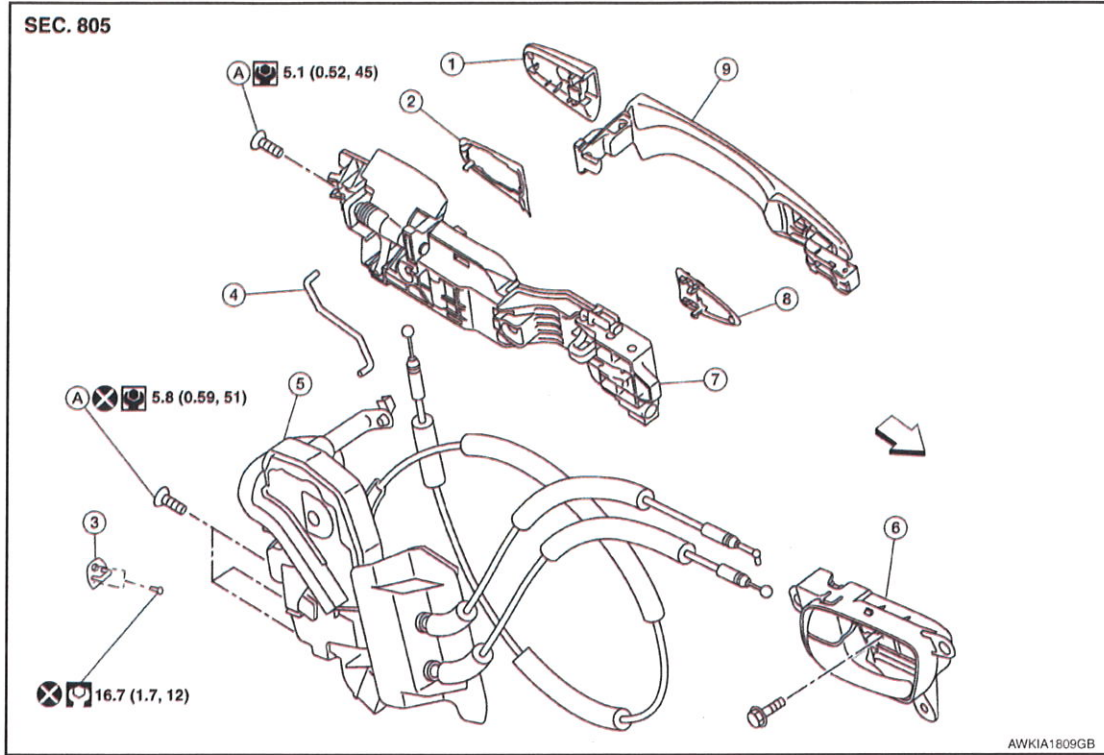
# DOOR LOCK

< REMOVAL AND INSTALLATION >

## DOOR LOCK FRONT DOOR LOCK

### FRONT DOOR LOCK : Exploded View

INFOID:000000009471773



- |  |                             |                   |
|--|-----------------------------|-------------------|
| 1. Door key cylinder outside handle escutcheon assembly (drivers side)<br>Outside handle escutcheon (passenger side) | 2. Rear gasket              | 3. Striker        |
| 4. Door key cylinder rod (driver side)   | 5. Front door lock assembly | 6. Inside handle  |
| 7. Outside handle bracket  | 8. Front gasket             | 9. Outside handle |
| A. Bolt  | ← Front                     |                   |

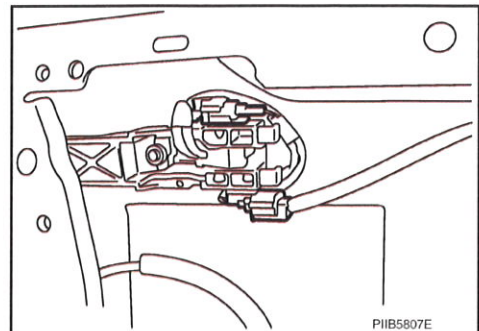
DLK

### FRONT DOOR LOCK : Removal and Installation

INFOID:000000009471774

#### REMOVAL

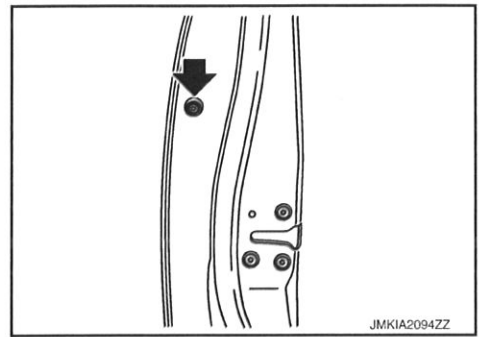
1. Remove front door finisher. Refer to [INT-18, "Removal and Installation"](#).
2. Remove front door module assembly. Refer to [INT-18, "Removal and Installation"](#).
3. Disconnect door antenna and door request switch connector and remove harness clamp on outside handle bracket.



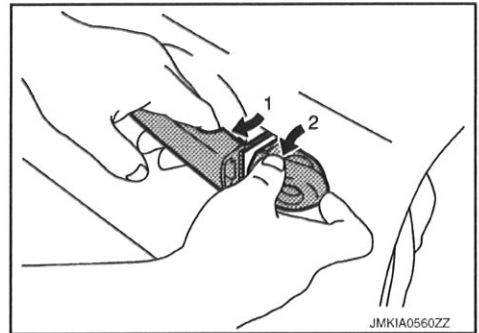
## DOOR LOCK

### < REMOVAL AND INSTALLATION >

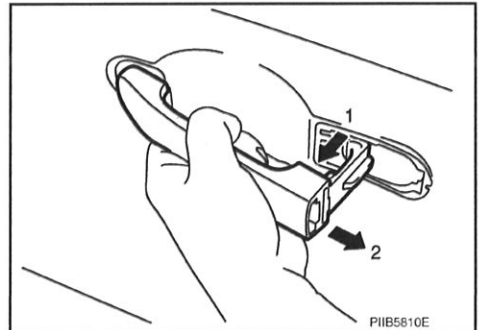
4. Remove door side grommet, and loosen bolt from grommet hole.



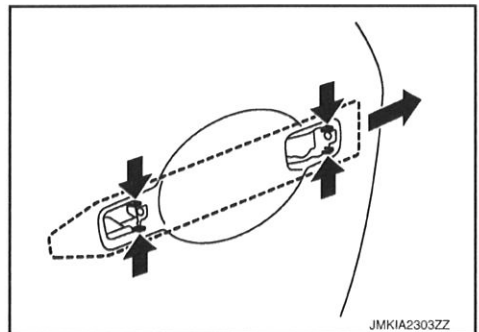
5. Disconnect the door key cylinder rod from the door key cylinder.
6. While pulling outside handle (1), remove door key cylinder assembly (2) (driver side) or outside handle escutcheon (passenger side) (2).



7. While pulling outside handle (1), slide toward rear of vehicle (2) to remove outside handle.



8. Remove front gasket and rear gasket.
9. While pulling outside handle bracket, slide toward rear of vehicle to remove outside handle bracket.



10. Separate the outside handle cable connection from the outside handle bracket.
11. Remove door lock assembly bolts.
12. Disconnect door lock actuator connector, and then remove door lock assembly.
13. Remove key rod from door lock assembly.

### INSTALLATION

Installation is in the reverse order of removal.

### CAUTION: