

FRONT DOOR FINISHER

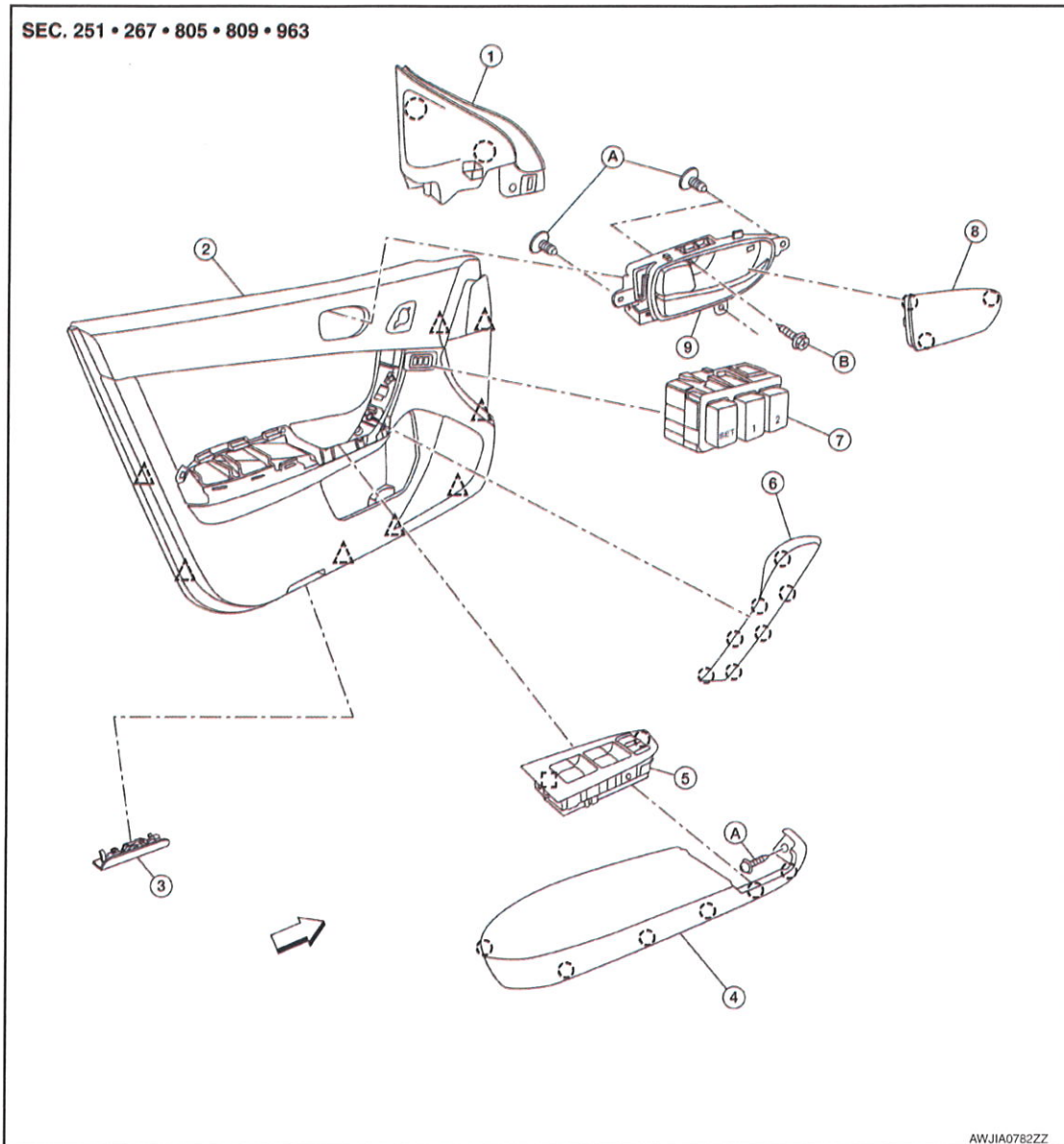
< REMOVAL AND INSTALLATION >

REMOVAL AND INSTALLATION

FRONT DOOR FINISHER

Exploded View

INFOID:000000009465881



- | | | |
|-------------------------------------|---|--------------------------|
| 1. Mirror cover | 2. Front door finisher | 3. Step lamp |
| 4. Arm rest finisher | 5. Main power window and door lock/
unlock switch finisher | 6. Front door grip cover |
| 7. Seat memory switch (if equipped) | 8. Inside release handle escutcheon | 9. Inside release handle |
| A. Flat head screws | B. Screws | ⇐ Front |
| [] Metal clip | ○ Pawl | △ Clip |

Removal and Installation

INFOID:000000009465882

REMOVAL

1. Remove the step lamp. Refer to [INL-84, "Removal and Installation"](#).

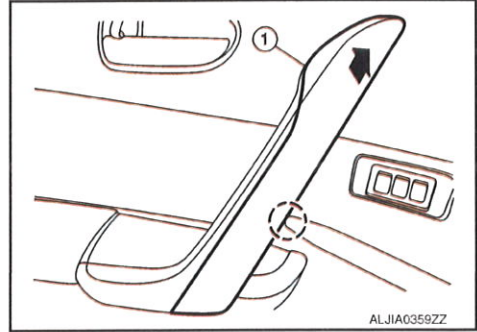
FRONT DOOR FINISHER

< REMOVAL AND INSTALLATION >

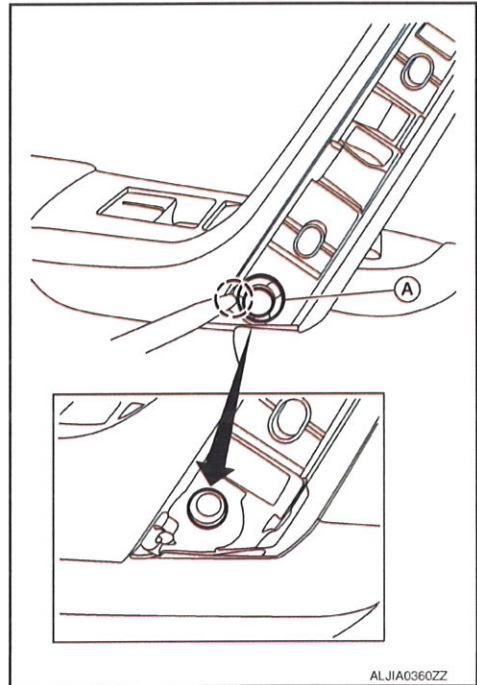
2. Release the pawls at the rear edge and remove the inside release handle escutcheon, then remove the screw.
3. Remove the front door grip cover (1) by using a suitable tool to release the pawls.

CAUTION:

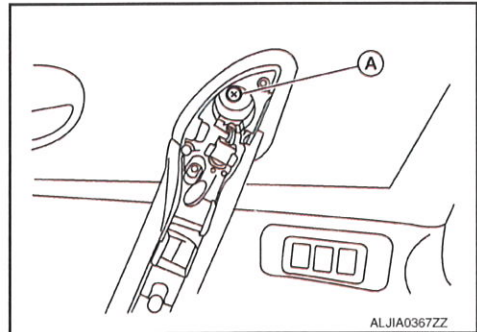
- Use suitable tool to release at the point shown or damage may occur to the pawls.
- Lift upward on front door grip cover to release pawls and remove.
- Wrap the tip of a suitable tool with a cloth when removing metal clips from finisher.



4. Remove the front door grip clip (A).



5. Remove the front door grip screw (A).



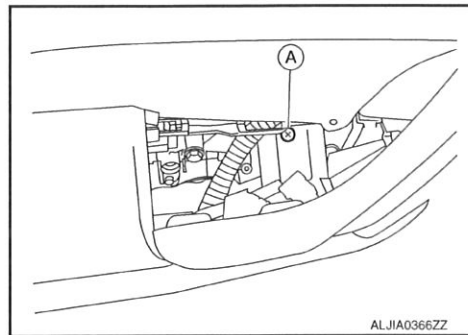
6. Remove the power window and door lock/unlock switch and finisher as an assembly. Refer to [PWC-107, "Removal and Installation"](#) (MAIN) or [PWC-108, "Removal and Installation"](#) (RH).

A
B
C
D
E
F
G
H
I
INT
K
L
M
N
O
P

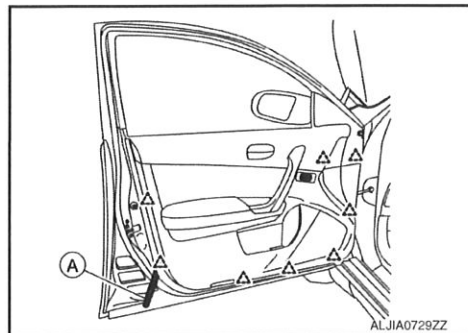
FRONT DOOR FINISHER

< REMOVAL AND INSTALLATION >

7. Remove the front door finisher screw (A) under power window and door lock/unlock switch finisher.



8. Release the front door finisher clips using a suitable tool (A).
△: Clip



9. Disconnect the harness connector from the seat memory switch (if equipped).
10. Disconnect inside handle and lock knob cables from front door finisher.
11. Disconnect the harness connector from the power window and door lock/unlock switch lamp.
12. Remove the front door finisher.

INSTALLATION

Installation is in the reverse order of removal.

- If installing a new front door finisher, transfer all the necessary parts to the new front door finisher.

