

GLOVE BOX ASSEMBLY

< REMOVAL AND INSTALLATION >

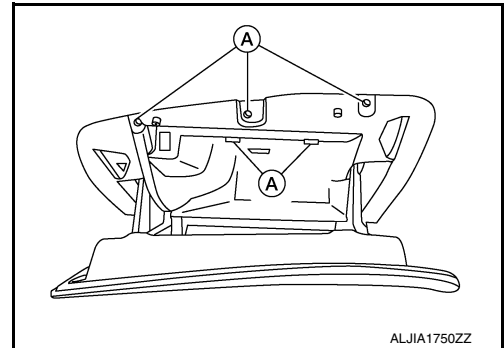
GLOVE BOX ASSEMBLY

Removal and Installation


INFOID:000000012483675

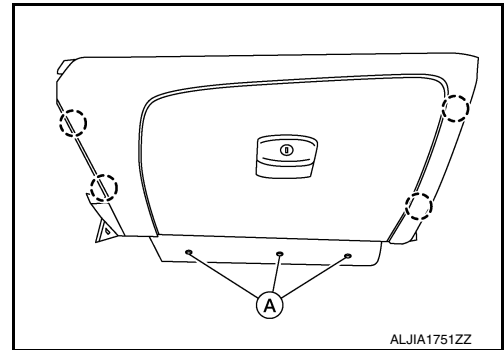
REMOVAL

1. Open the glove box door and remove the glove box assembly upper screws (A).



2. Remove the glove box assembly lower screws (A).
3. Release glove box assembly pawls using a suitable tool.

 : Pawl



4. Disconnect harness connector and remove the glove box assembly.

INSTALLATION

Installation is in the reverse order of removal.